

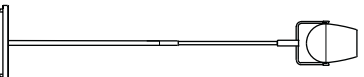
PAN AM FLOOR / CROSS

| PAN AM Floor / Cross | | mm | |
|----------------------|-----------------------|-------------------------|---------------------------|
| | | | |
| | E27 | QT | HIT |
| kg | 10,6 5,4 | 10,8 5,6 | 11,3 6,1 |
| | max. 150 W/E27 | max. 90 W/GY6,35 | 70 W/G12 150 W/G12 |
| CE | CE | CE | CE |

serien
.lighting

serien Raumleuchten GmbH Hainhäuser Str. 3-7 D-63110 Rodgau

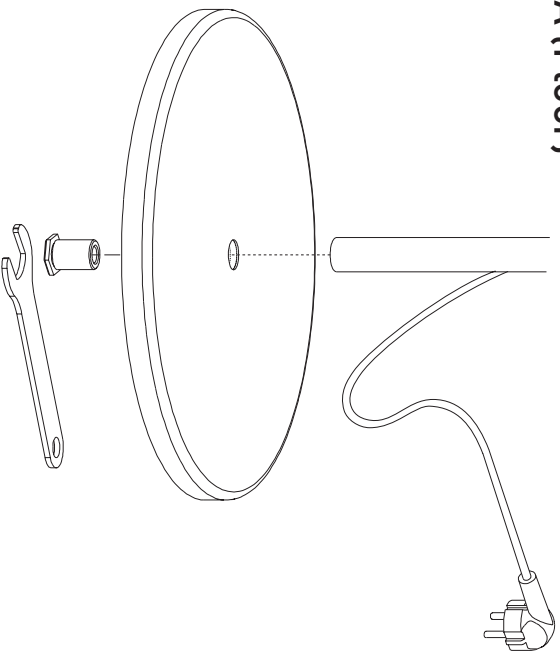
Design Hopf & Wortmann



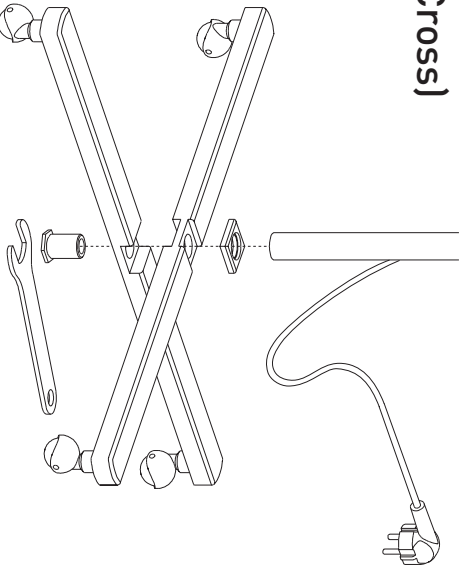
- ⓓ Vor Montage der Leuchte Sicherung ausschalten!
- ⓖⓑ) Disconnect fuse prior to installation!
- ⓕ) Pour la pose de luminaire, couper le courant!
- Ⓛ) Assicurarsi che la lampada si spenta prima del montaggio!



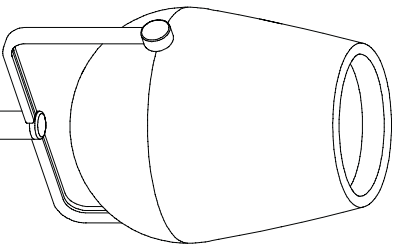
A (Floor)



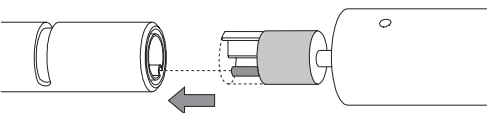
A (Cross)



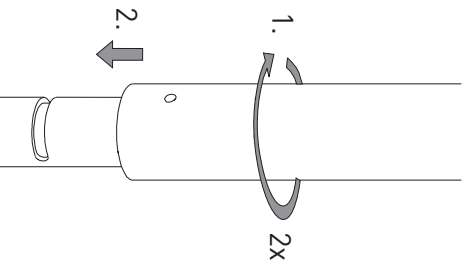
B



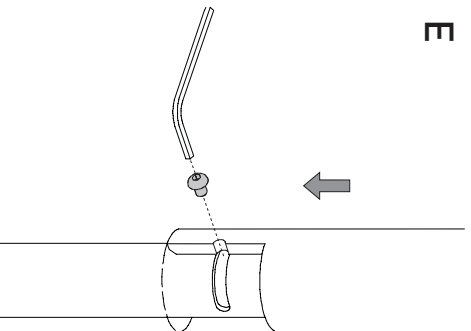
C



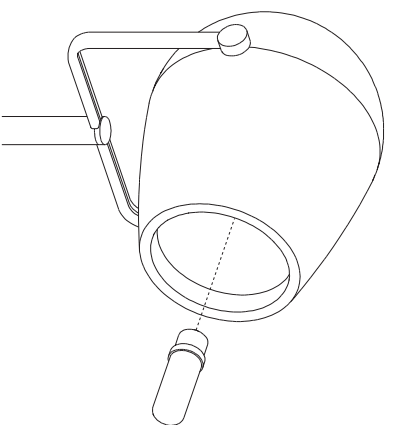
D



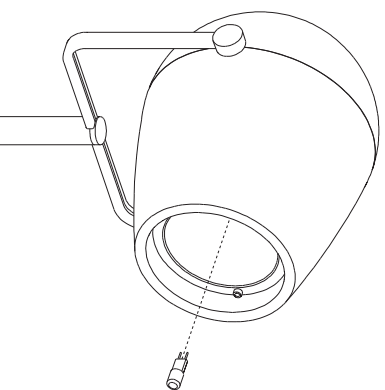
E



F (E27)



F (QT)



F (HIT)

