

PRODUCT DATA SHEET

Tolomeo basculante tavolo - Satin 180

**DESIGN BY :**

Michele De Lucchi , Giancarlo Fassina
2004

MATERIALS :

Aluminium, silk satin fabric and plastic

DESCRIPTION :

Base and cantilevered arms in polished aluminium; diffuser in silk satin fabric on a plastic frame; joints in polished aluminium. System of spring balancing.

Interchangeable support: table base, clamp, desk fixed support and twin support that allows two independent lamp units to be fitted. The diffuser normally used, remains vertical regardless of the angle of the arm.

Light emission

IP 20

TECHNICAL DATA SHEET

Features

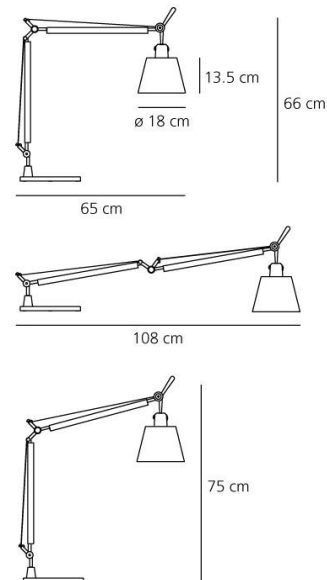
Product name:	Tolomeo basculante tavolo - Satin 180
Article Code:	0947020A + A004030
Colour:	Grey
Material:	Aluminium, silk satin fabric and plastic
Support:	Base
Support colour:	Mirror
Series:	Design
Environment:	Indoor
Area contract:	Private Residence

DIMENSIONS

Height:	(cm) 66
Cutout width:	(cm) 18
Base Diameter:	(cm) 23
Max Extension Height:	(cm) 75
Max Extension Length:	(cm) 108
Cutout shape:	

LAMPS NOT INCLUDED

Category:	HALO
Number:	1
Lbs:	Qa60
Watt:	70
Socket:	E27
Type:	Hsgsa/c/ub
Colour Rendering:	1a
Colour temperature (K):	2900
Duration (h):	2000

Dimensions**LAMP**

IP 20

ELECTRICAL

ACCESSORIES



TOLOMEO SUPP.TAVOLO
FISSO A004200



TOLOMEO MORSETTO
A004100



TOLOMEO SUPPORTO
TAVOLO TWINA004300