

## PRODUCT DATA SHEET

### Onfale tavolo piccolo



#### DESIGN BY :

Luciano Vistosi  
1978

#### MATERIALS :

Opaline blown glass, transparent crystal

#### DESCRIPTION :

Body and diffuser in opaline blown glass. Transparent crystal edge added.

#### Light emission



Diffused



### TECHNICAL DATA SHEET

#### Features

Product name:	Onfale tavolo piccolo
Article Code:	A006400
Colour:	White
Material:	Opaline blown glass, transparent crystal
Series:	Design
Environment:	Indoor
Area contract:	

#### OPTICS

Emission:	Diffused
-----------	----------

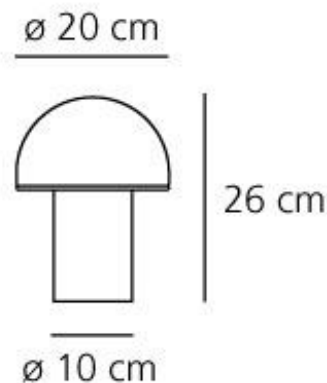
#### DIMENSIONS

Height:	(cm) 26
Cutout width:	(cm) 20
Base Diameter:	(cm) 10
Cutout shape:	

#### LAMPS NOT INCLUDED

Category:	HALO
Number:	1
Lbs:	Qt26
Watt:	42
Socket:	E14
Type:	N/s
Colour Rendering:	1a
Colour temperature (K):	N/s

#### Dimensions



#### LAMP



#### ELECTRICAL

Voltage:	220V-240V
----------	-----------