



Tilt

by

NYTA



NYTA

enjoy light

We take great satisfaction and pride in designing light and the sources from which it emanates. It is important to us that our original design ideas are kept alive every step of the way, right down to the finished product. To achieve this we carefully consider all esthetic and technical details and get involved in the manufacturing process. We precisely define materials, surfaces and product details as well as paying meticulous attention to handling and every-day use. We are continuously challenging our designs in

order to retain the necessary while weeding out the superfluous.

If at the end of this scrupulous process the original design idea is still clearly identifiable and has been translated into a good prototype we have achieved our aim: designing and building lights, lamps, illuminants that—quite literally—please the eye, make an esthetic statement and still blend in matter-of-factly. In short: Light that serves and satisfies our customers as much as it gave us satisfaction in designing it.





Tilt

Lighting with poise



Tilt emanates an open and soft light, and directs it exactly where it is needed. Easy, intuitive handling allows turning and swiveling the shade along its oblong opening in every direction. It works like a cupped reflector that you can freely move around the light source, thus gathering the light and directing it towards the space or object you want to illuminate.

The matt finish of the aluminum shade, the guiding peg made from stainless steel as well as the cloth-covered cord make for a high-quality and classy appearance in every conceivable environment. A self-fastening hanging mechanism provides solid purchase and cleanly holds the lamp in position.





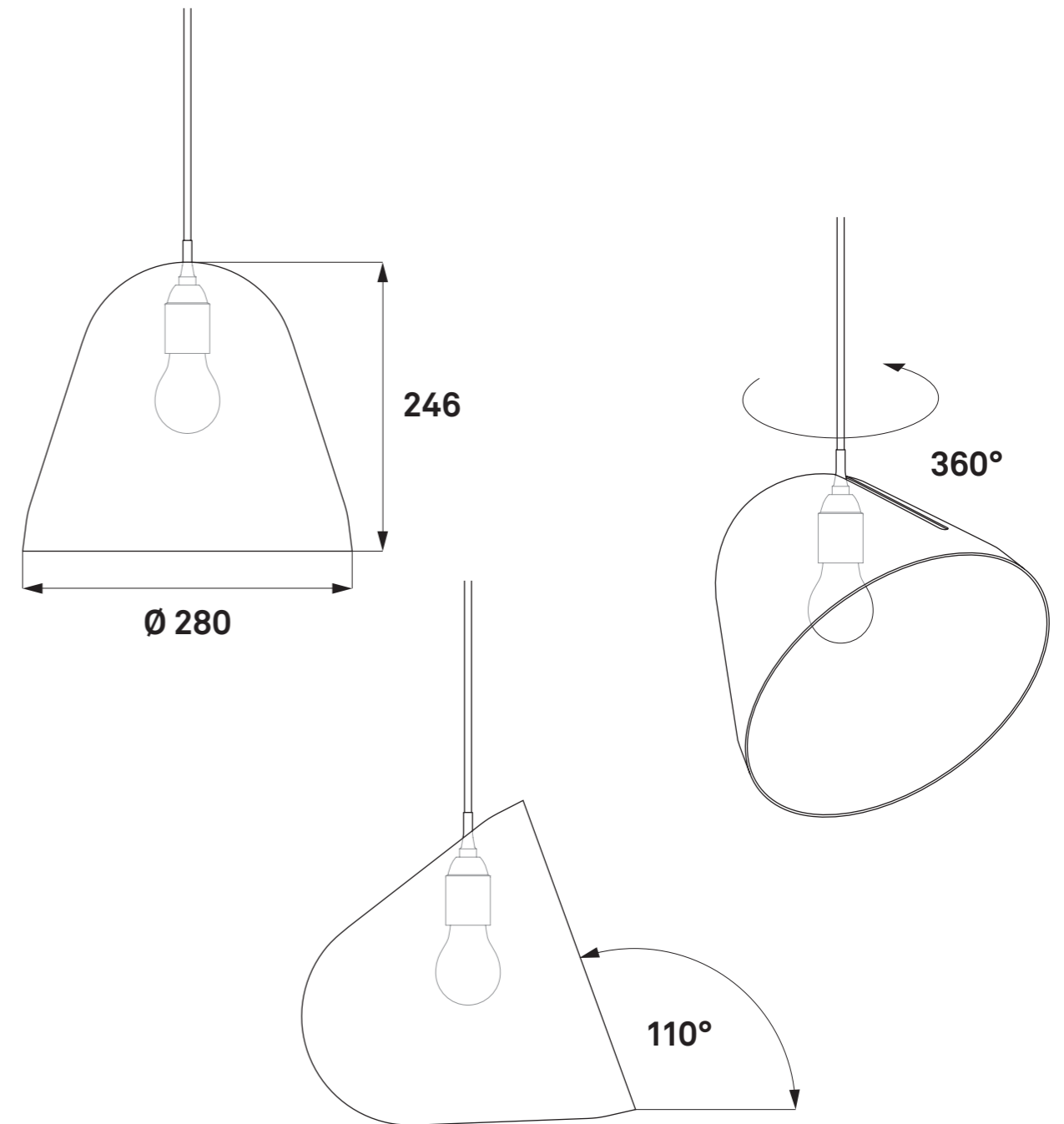
Tilt

Colours

Ceiling canopy, cloth-covered cord & lamp shade



Specifications



Materials:	Aluminum w/ matt finish, stainless steel	Base:	E 27
Color outside:	matt black or matt white	Light source:	LED, Halogen (max. 105 Watts), light bulb (max. 100 Watts), fluorescent lamp
Color inside:	white matt	Tilt angle:	max. 110 degrees
Cord:	cloth-covered in 5 color choices (black, white, red, light green, rose)	Swivel:	360 degrees
Length of cord:	2 meters (ca. 7 ft.)	Height:	246 millimeters
Ceiling canopy:	plastic, matt black or matt white	Diameter:	280 millimeters
		Weight:	1 kilogram (ca. 35 ounces)

NYTA

www.nyta.eu