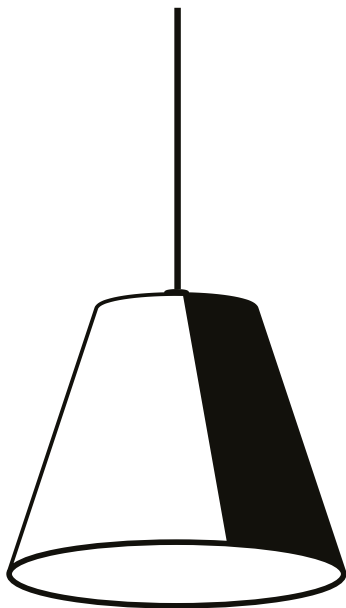


# WH

---

## Sinker

WH



---

### Sinker Light (Small)

The Sinker ceiling and pendant lamp combines simple lines and form with a matt finish and produces a direct light.

---

### Attention

**Ensure that the power supply to the circuit has been turned OFF before installing the product.** In some countries electrical installation must be carried out by authorised electricians/contractors; please check with your local authority for guidance. The product must not be modified in any way. WFH accepts no responsibility for any products that have been modified or tampered with.

If the trailing cable on this product becomes damaged it should be replaced immediately by qualified personnel to ensure there is no further danger to the user.

### Technical Data

This product is supplied with an E27 LED Bulb. Replacement bulbs must be the same type as that supplied with the product. WFH will not accept any responsibility for any accidents or injury that occurs due to the use of incorrect bulbs.

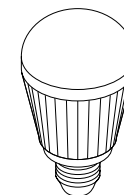
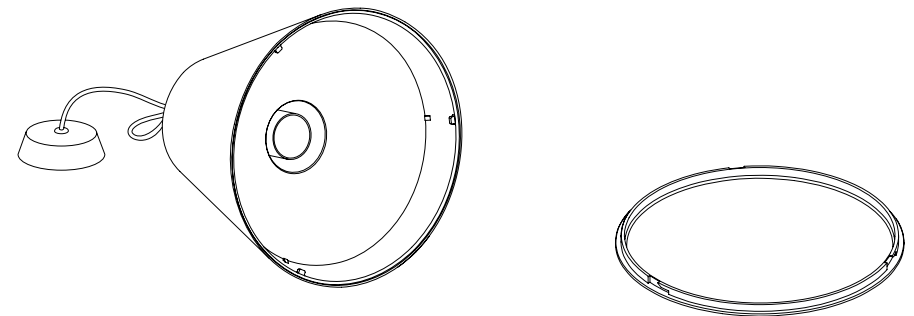
### Cleaning Instructions

Ensure that the power supply has been turned OFF before cleaning the product. The product can be cleaned with a soft damp cloth and mild detergent.

Do not use alcohol or any other solvents to clean the product.

---

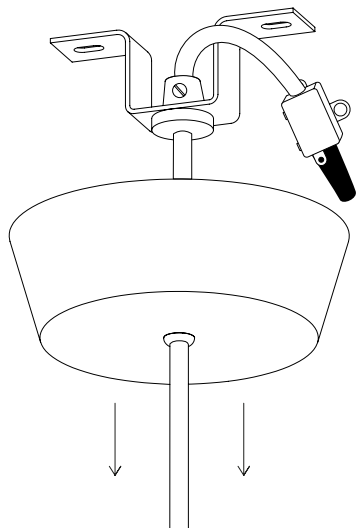
### Parts List



---

**Step 01**

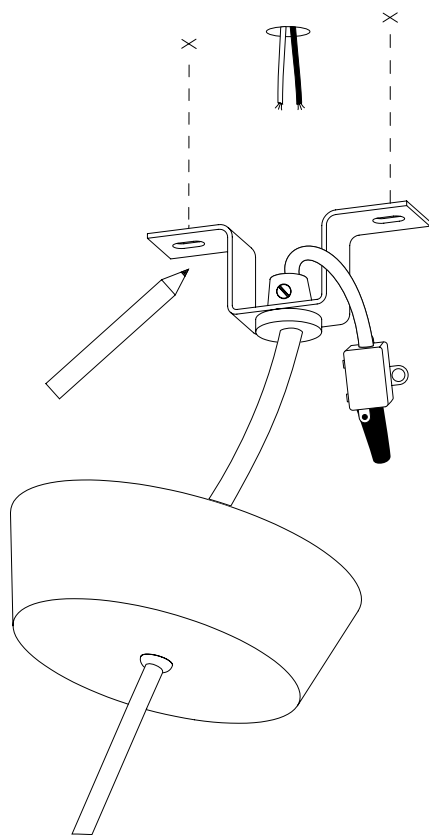
Pull the conical ceiling cap away from the internal bracket, it is held magnetically.



---

**Step 02**

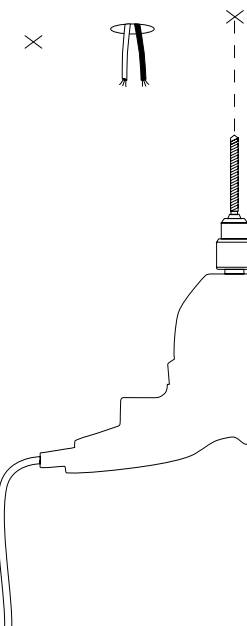
With a pencil, mark fixing holes either side of the cable exit hole in the ceiling.



---

**Step 03**

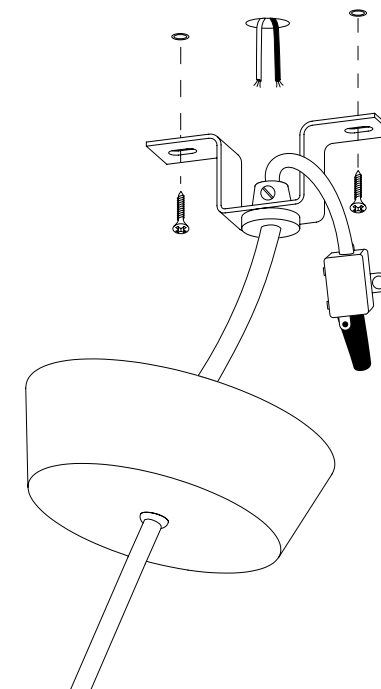
Drill holes and insert wall plugs. Ensure you use the correct type of wall plug for the material you are drilling into.



---

**Step 04**

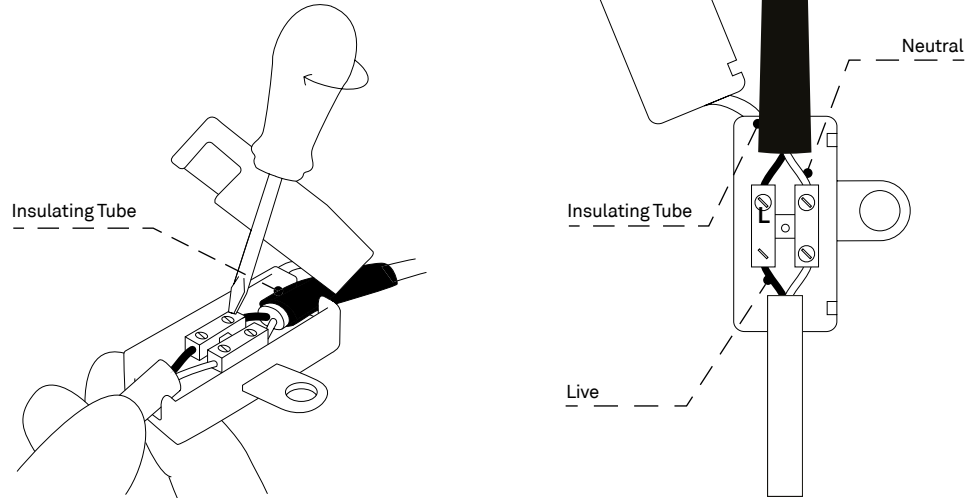
Screw the internal supporting ceiling cap bracket into the ceiling ensuring there is enough cable exposed to connect both positive and neutral cables together.



### Step 05

#### Ensure Power is switched off!

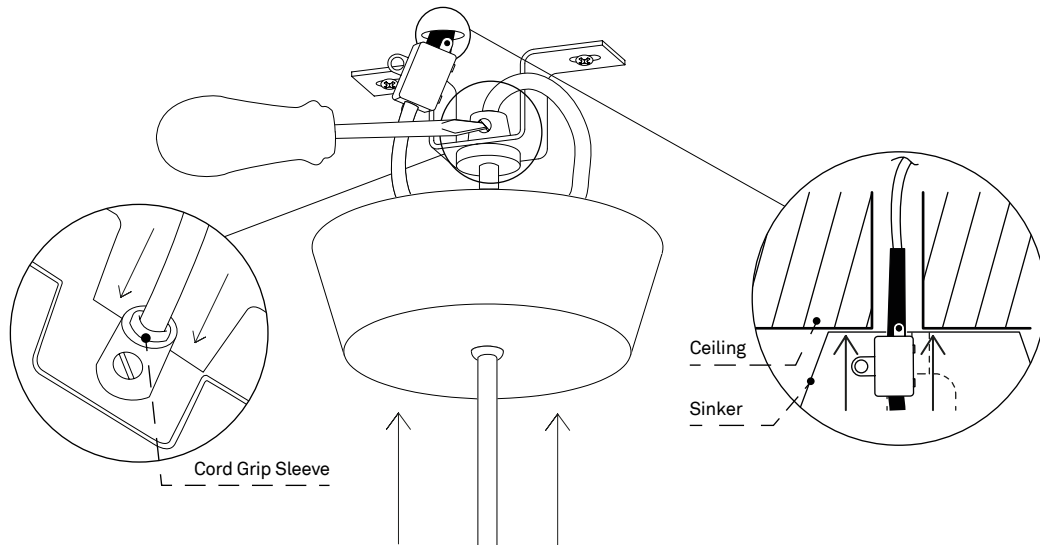
Open the connector box and feed the mains supply cable through the insulating tube into the connector box. Connect the mains supply cables to the corresponding cables on the light. Close and secure the connector box making sure that the insulating tube covers the wire supply from the ceiling.



Please note: It is recommended that a qualified electrician connects the power in this step.

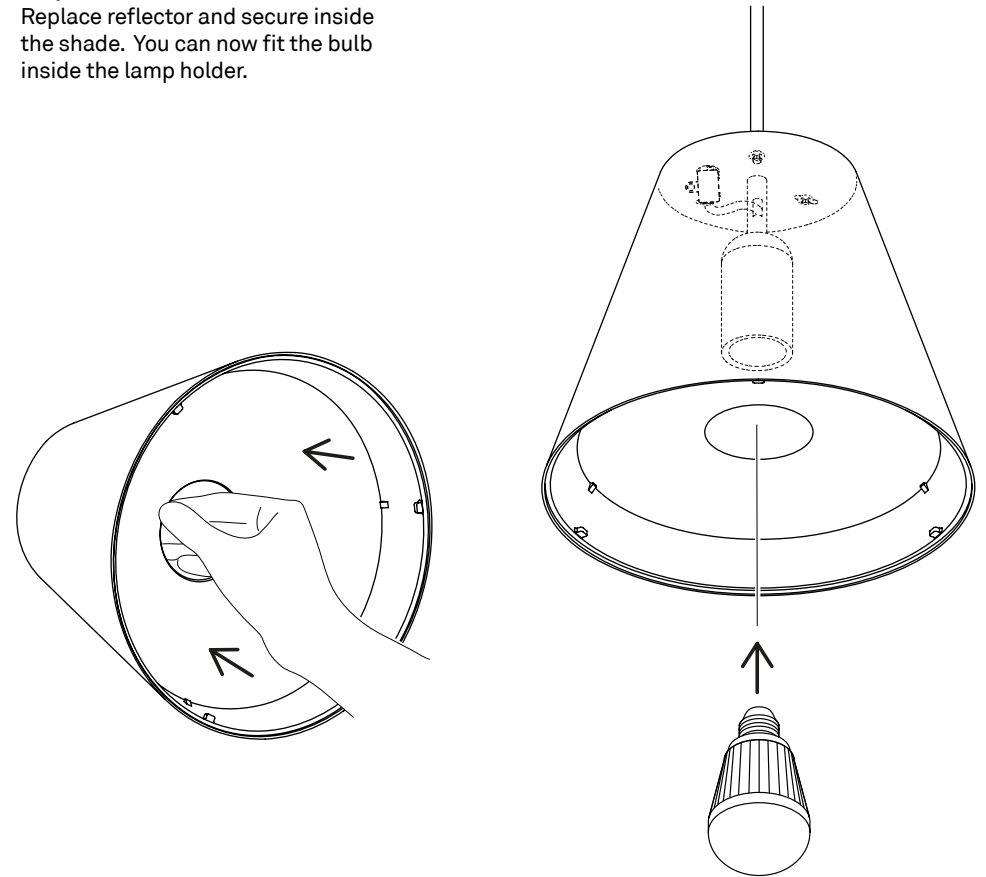
### Step 06

Make sure that the cord grip sleeve sits between the internal cord grip and the cable. Tighten the internal cord grip, and slide the ceiling cap over the internal supporting bracket. Fix in place with the internal magnet.



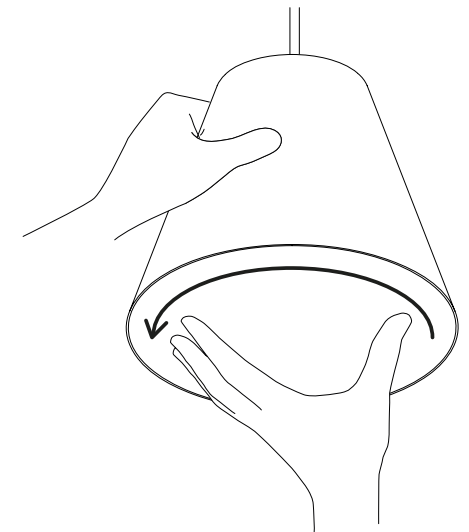
### Step 07

Replace reflector and secure inside the shade. You can now fit the bulb inside the lamp holder.



### Step 08

Fit the diffuser by aligning the tabs on the inside of the shade and the recesses on the diffuser. Hold the shade in one hand and use the other to twist the diffuser until secure.



---

**Contact:**

34 Queen Anne's Gate,  
SW1H 9AB London, UK  
[info@wrongforhay.com](mailto:info@wrongforhay.com)  
[wrongforhay.com](http://wrongforhay.com)