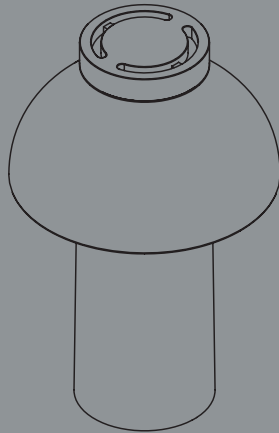


INSTRUCTION MANUAL

PC PORTABLE



By Pierre Charpin

HAY

INTRODUCTION

Pierre Charpin's PC Portable Lamp is a refined and portable freestanding lamp for indoor and outdoor use. Constructed in robust plastic and featuring a matte scratch- and water-resistant finish, its battery-powered design gives the freedom and flexibility to move it anywhere. The light source is hidden from view by a removable acrylic moulded diffuser and plastic shade, available in both opaque downlight and translucent ambient output options, depending on the desired use. The PC Portable Lamps are available in a variety of colours and are ideal for table lighting in domestic environments, as well as at cafés, restaurants and other public areas.

TECHNICAL DATA

This product is supplied with an AOW voltage LED bulb (3W, DC 3.7V). Replacement bulbs must be the same type as the one supplied with the product. HAY will not accept any responsibility for any accidents or injury that occurs

due to the use of incorrect bulbs. This product is fitted with a rechargeable, high-performance lithium-ion battery, 3.7V, 2600mAh.

ATTENTION

The product must not be modified in any way. HAY accepts no responsibility for any products that have been modified or tampered with. This lamp is designed for indoor and outdoor use. HAY recommends that the lamp is not kept outside while raining. This lamp has an integrated high-performance lithium-ion battery. After 300 charging cycles, it will maintain a capacity of 75%

or more. To extend battery life, it is recommended to regularly charge it with the supplied USB cable. This lamp has been designed to be used in operating temperatures between 0 °C and 45 °C. If this lamp is used outside of this ambient temperature range, the battery life may be reduced and this may affect the lamp's performance.

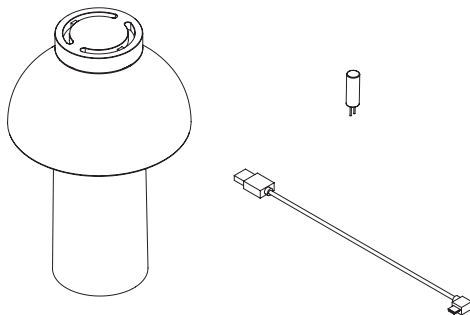
CARE AND MAINTENANCE

The product can be cleaned with a soft damp cloth and mild detergent. Do not use alcohol or any other solvents

to clean the product. Ensure that the power supply has been turned OFF before cleaning the product.



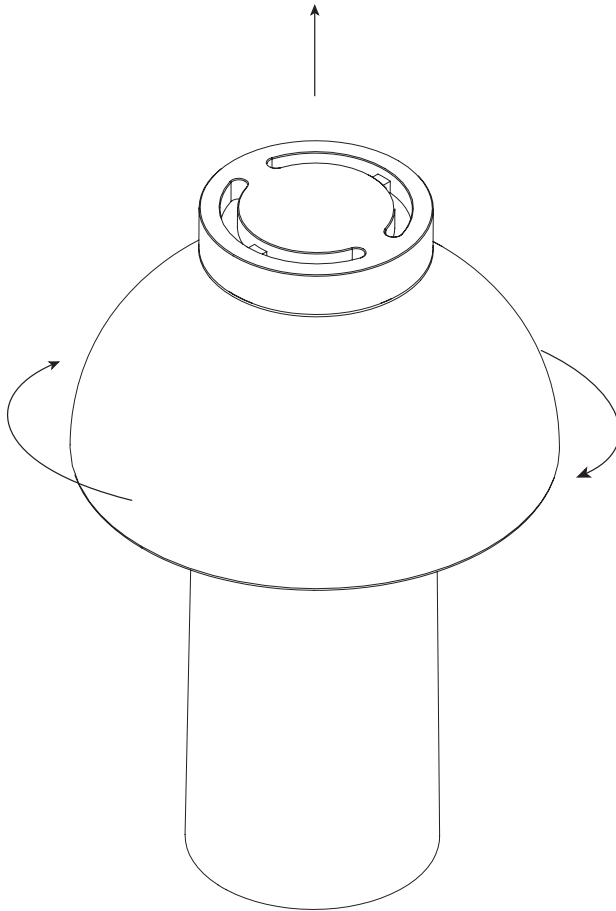
PARTS



1.

Unpack all the components and check that you have received all the components listed.

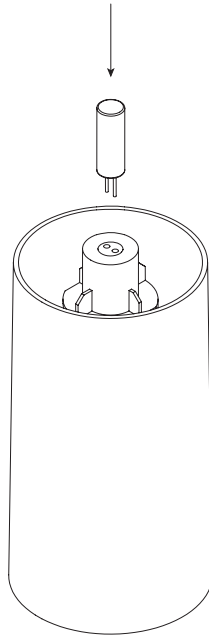
Remove the shade by turning it clockwise and then lifting it off the lamp base.



2.

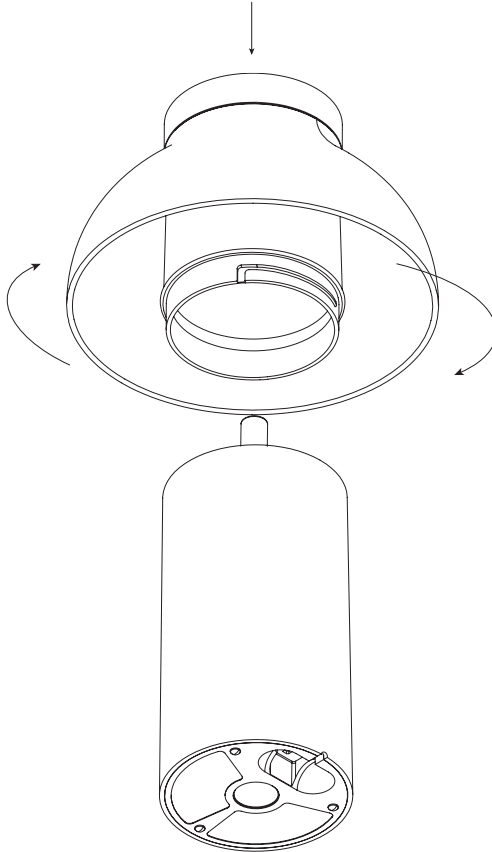
Locate the supplied bulb, remove it from its packaging and place it into the bulb fitting, located in the lamp base.

For replacement bulb options, please refer to the HAY website.



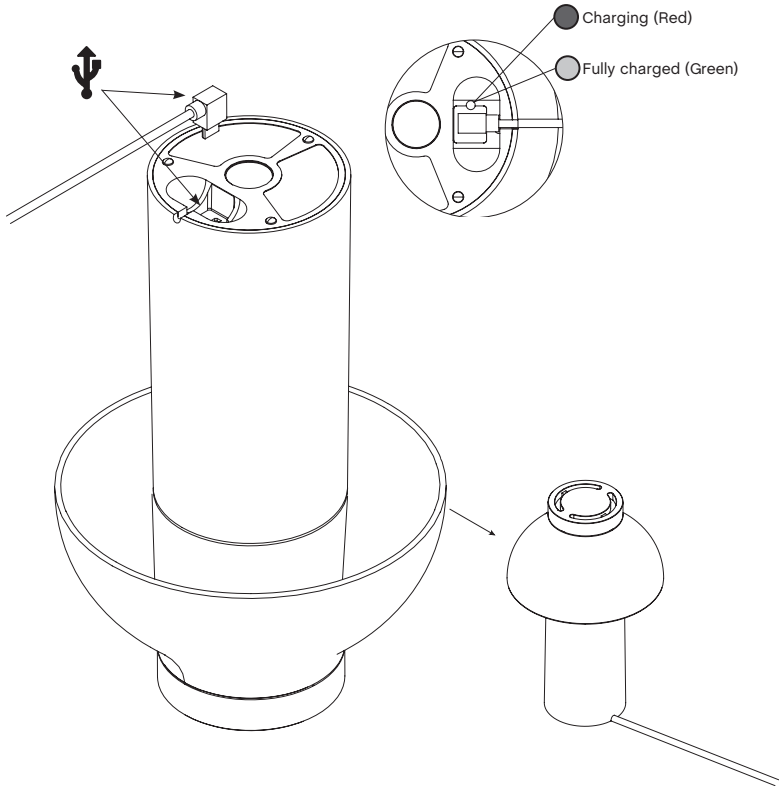
3.

Place the shade onto the lamp base, aligning the grooves on the shade with the bayonet fitting inside the lamp base. Turn counterclockwise and tighten securely.



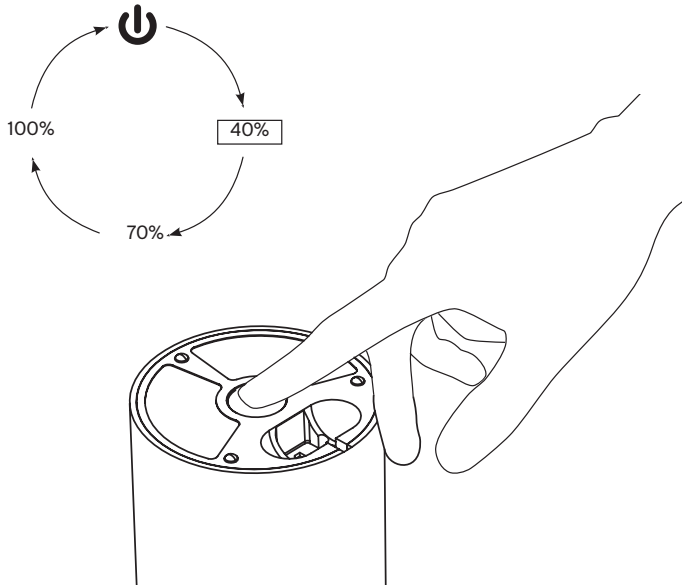
4.

To charge the battery, insert the USB charger into the USB port on the bottom of the lamp and connect the cable to a power supply. When the battery is charging, the light on the bottom will show red. When the battery is fully charged, the light will show green. The lamp can be used while charging, however this will extend the required charging time for full capacity.



5.

To turn the lamp on, touch the round button on the bottom of the lamp. The lamp has a three-step dimmable feature. First push sets it to lowest brightness, second push to medium brightness and the third push to maximum brightness. Fourth push turns the lamp off.



Havnen 1 8700 Horsens Denmark
+45 4282 0282 / hay@hay.dk

HAY