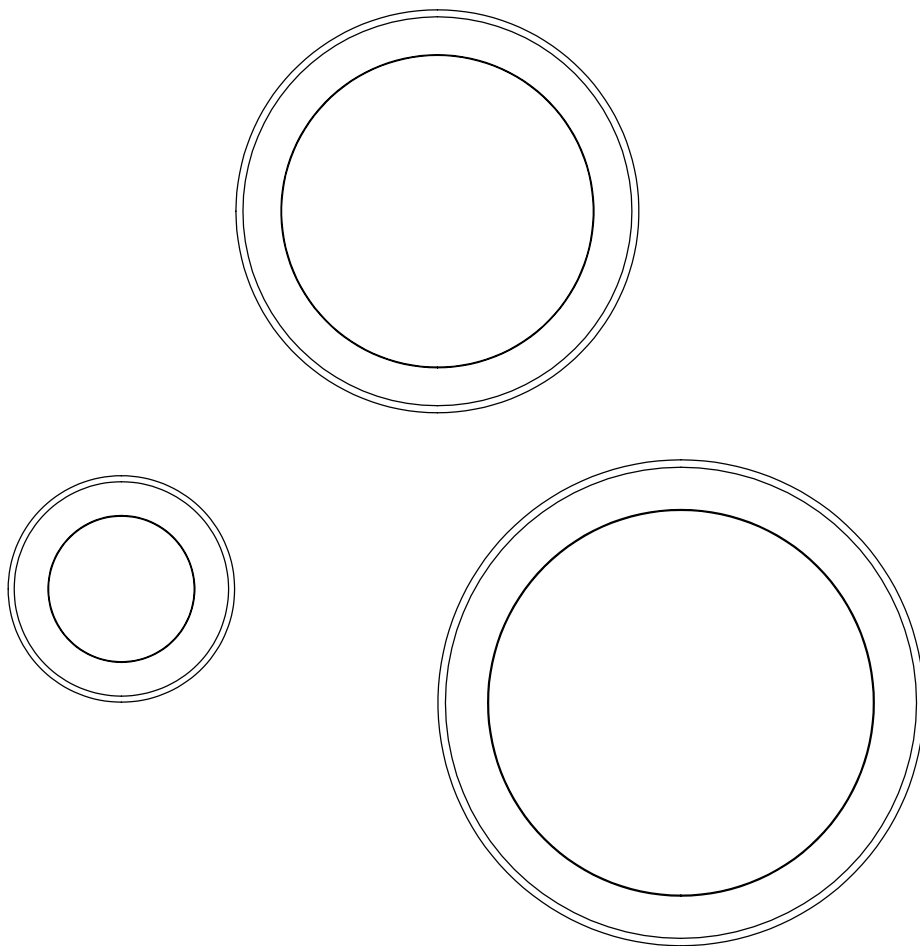


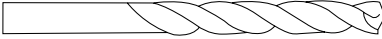
Loop Hook

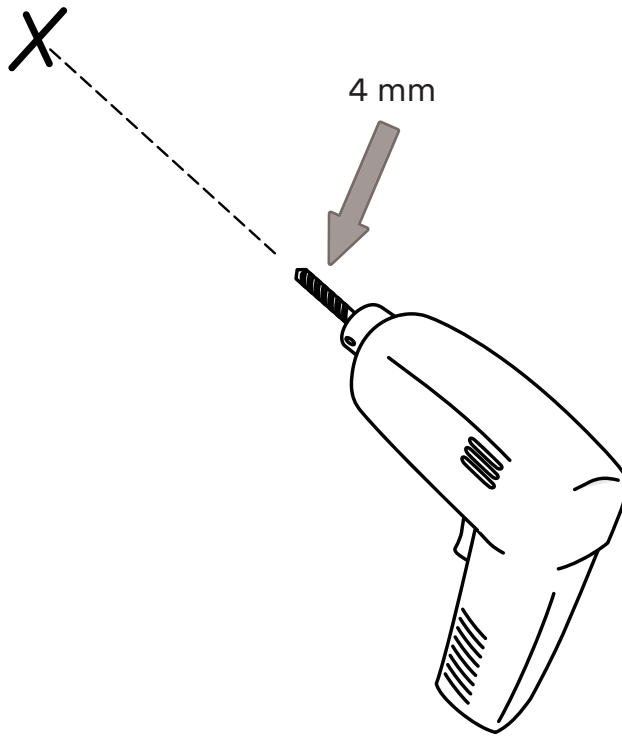
Assembly Instructions



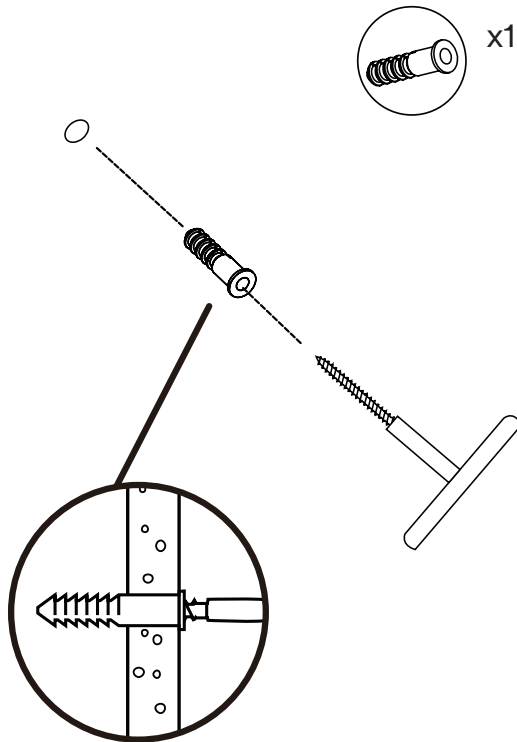
normann

C O P E N H A G E N

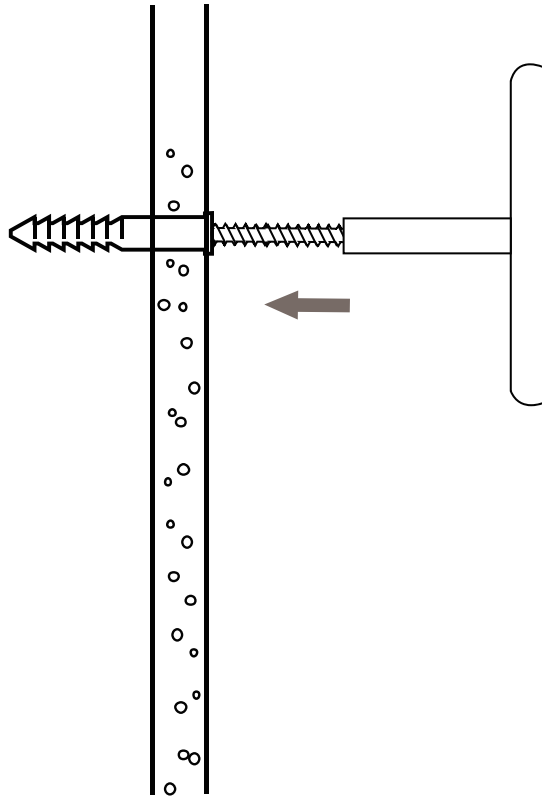
1  Drill size: 1/6" (4mm)



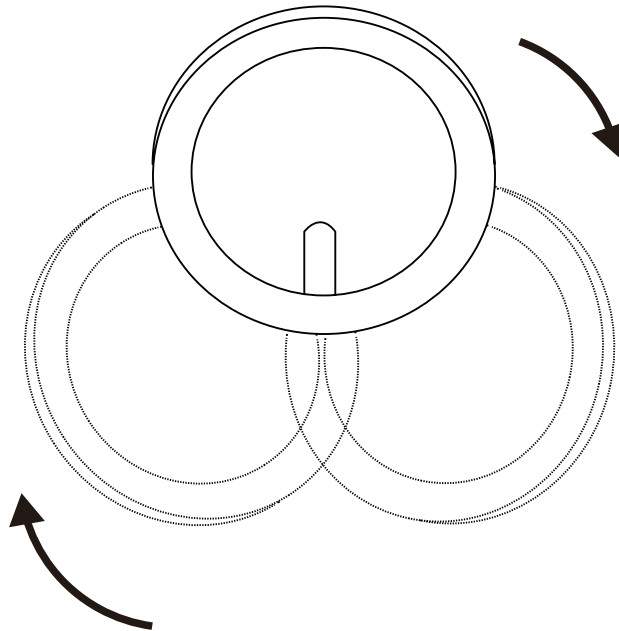
2



3



4



max loadings: 5 kgs.