



You can also find the same information here
hay.dk/downloads

You can find more relevant information
on Cupola Lamp Collection by scanning
the QR code



Please find our Care & Maintenance
guide by scanning the QR code



Our Care & Maintenance offers guidance for optimal
maintenance of your HAY product. It includes advice
and instructions on cleaning and caring for specific
materials to prolong the life of your lighting.

The product can be cleaned with a soft damp cloth
and mild detergent, or a dry microfibre cloth. Do not
use alcohol or any other solvents to clean the product
and avoid using abrasive or rough sponges. Ensure
that the power supply has been turned OFF before
cleaning the product.

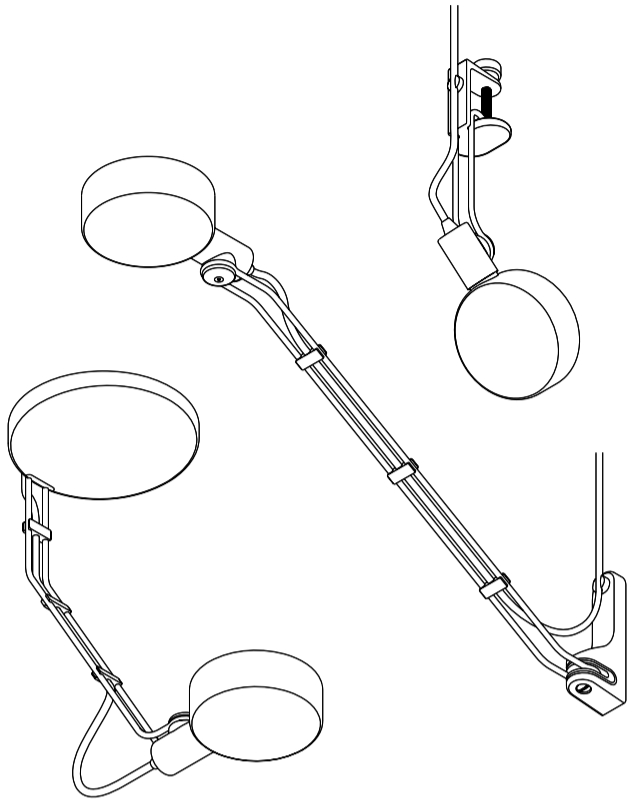
- CARE & MAINTENANCE -

CONSIGNES DE SÉCURITÉ IMPORTANTES
Ce produit dispose d'une prise polaire (une lame est
plus large que l'autre) afin de réduire le risque de
choc électrique. Cette fiche ne peut être installée que
dans une direction sur une prise polaire. Si la prise ne
s'insère pas complètement dans la prise, retournez la
prise. Si cela ne convient toujours pas, contactez un
électricien qualifié. Ne pas utiliser avec une rallonge,
sauf si la fiche peut être correctement insérée. Ne pas
modifier la fiche.

IMPORTANT SAFETY INSTRUCTIONS
This product has a polarised plug (one blade is
wider than the other) as a feature to reduce the risk
of electric shock. This plug can only be inserted in
a polarised outlet one way. If the plug does not fit
fully in the outlet, reverse the plug. If it still does not
fit, contact a qualified electrician. Never use with an
extension cord unless the plug can be fully inserted.
Do not alter the plug.

ONLY FOR NORTH AMERICAN CUSTOMERS:

CUPOLA LAMP
COLLECTION



- GENERAL INFORMATION -

TECHNICAL DATA

This product is fitted with one E14 (EU) or one E12 (US)
bulb fittings. HAY recommends using this product with
LED bulbs.

Fitting type: E14 (EU) or E12 (US)
Power range: 5-8W (Max. 8W)
Suggested colour temperature: Warm White.

HAY will not accept any responsibility for any accidents,
injuries or damages that occur due to the use of
incorrect bulbs.

ATTENTION

Ensure that the power supply to the circuit has clearly
been turned OFF before installing the product. In some
countries, electrical installation must be carried out by
authorised electricians/contractors; please check with
your local authority for guidance.

As wall materials vary, screws for wall fixation are not
included. For advice on a suitable screw system for
your wall, contact your local specialised dealer. Wall
fixing/hanging must be carried out by a qualified
person, since wrong fixation may cause injury or
damage.

To reduce the risk of strangulation, the flexible wiring
connected to wall mounted luminaires shall be
effectively fixed to the wall if the wiring is within arm's
reach.

The product must not be modified in any way. HAY
accepts no responsibility for any products that have
been modified or tampered with. If the external flexible
cable or cord of this luminaire is damaged, it should be
exclusively replaced by a qualified electrician in order
to avoid an electrical hazard. This lamp is designed for
indoor use only.

