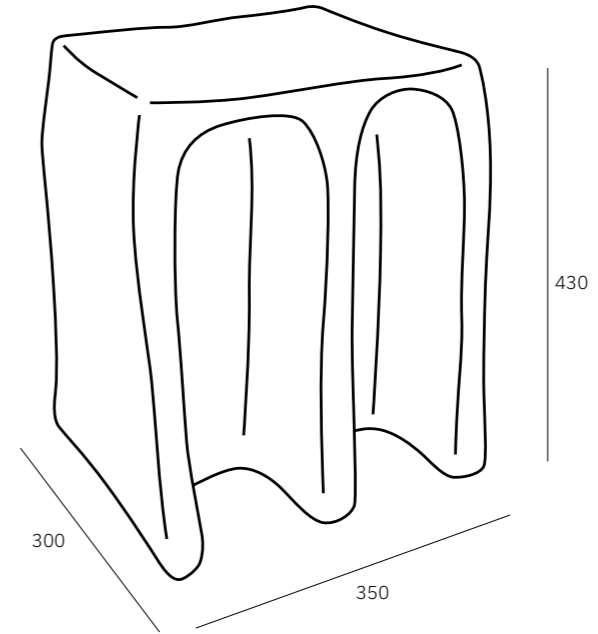


**STOOL. TABLE. SCULPTURE.**



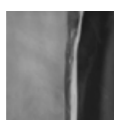
The chouchou is a masterwork of traditional craftsmanship. Each stool is handmade and has characteristic features such as irregularities in ceramic thickness, colour variations or bumps in the ceramic.



**PRODUCT CHARACTERISTICS**

The chouchou is a masterwork of traditional craftsmanship. Each table is handmade and has characteristic features such as irregularities in ceramic thickness, colour variations or bumps in the ceramic.

COLOURS & ART.NR

			
colour round	green 1701GRGL	rose 1701ROGL	sand 1703SA
			
colour round	tobacco 1701TO	white 1701WGL	marble white 1701MW
			
colour round	cobalt 1701CGL	silver 1701SI	black 1701BGL

YEAR OF DESIGN  
2019

MATERIAL  
ceramic

DIMENSIONS (mm)  
350 L x 300 W x 430 H

ASSEMBLY REQUIRED  
No.

**CHOUCHOU**  
STOOL

350 L x 300 W x 430 H

**CARE INSTRUCTIONS**

Regular cleaning and maintenance is important in order to keep your pulpo product looking its best and to prolong its life. Always remove any kind of dirt as soon as possible. We recommend that you first test a small, invisible area to ensure that no colour change or damage arises to the product. Do not use materials for maintenance that contain abrasive agents or are basic, acid or organic.

**CERAMIC CLEANING**

For dusting and light cleaning of ceramic, use a soft and dry cloth. For further cleaning, gently wipe the surface with a soft cloth wrung in clean warm water. Dry immediately afterwards with a soft, dry and clean cloth. For the best maintenance of the product, care for it regularly, and try to keep it away from moisture, grease and other dirt. Furthermore, protect the surfaces against sharp objects and others that might scratch.